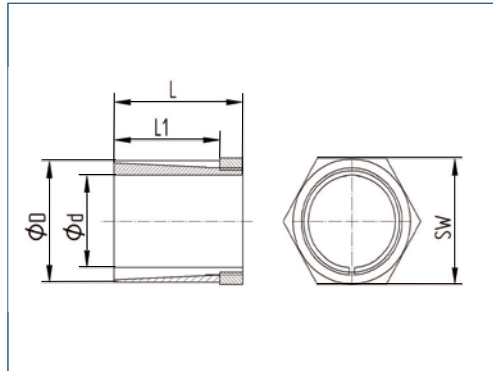
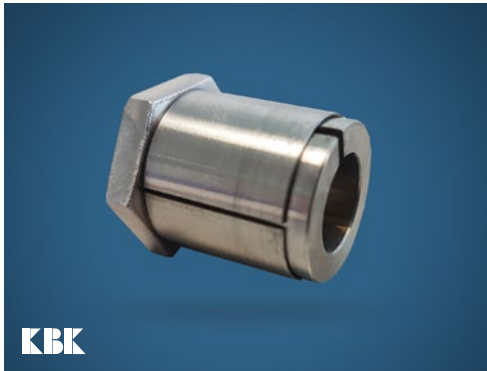


## Locking Device

stainless steel  
execution



transmittable torque	low
surface pressure on hub	low
self-centering	yes
axial movement of the hub during assembly	yes
height D/d	flat
overall length	short

Order Code

**KBS 57 - 9 x 14**

Type

$\phi d$

$\phi D$

Recommended finishing tolerances of contact surfaces are: shaft h8 / hub H8

Inner / Outer $\phi$ d x D	Torque T Nm	Dimensions			Surface pressure on		Nut G	$T_A$ (Nm)	Mass g
		L mm	L 1 mm	SW mm	Shaft Pw N/mm <sup>2</sup>	Hub Pn N/mm <sup>2</sup>			
4 x 8	3	15	12.5	8	80	20	M6 x 0.5	4	3.8
5 x 10	4	15	12.5	10	68	17	M8 x 0.5	5	6.5
6 x 10	7	15	12.5	10	83	30	M8 x 0.5	8	5.3
6.35 x 10	7	15	12.5	10	74	30	M8 x 0.5	8	5.0
7 x 12	8	15	12	12	69	24	M10 x 0.75	9	6.3
8 x 14	14	22	19	16	61	20	M12 x 1.0	15	17.5
9 x 14	14	22	19	16	48	20	M12 x 1.0	15	15.0
9.52 x 14	14	22	19	16	43	20	M12 x 1.0	15	12.8
10 x 17	18	22	18.5	18	52	18	M15 x 1.0	19	29.0
11 x 17	18	22	18.5	18	43	18	M15 x 1.0	19	28.0
12 x 17	18	22	18.5	18	36	18	M15 x 1.0	19	26.2
14 x 20	24	28	23	22	28	14	M17 x 1.0	25	35.3
15 x 20	24	28	23	22	25	14	M17 x 1.0	25	36.4
15.88 x 23	26	28	23	26	24	11	M20 x 1.0	27	48.4
16 x 23	26	28	23	26	23	11	M20 x 1.0	27	50.7
17 x 23	26	28	23	26	21	11	M20 x 1.0	27	45.0
19 x 25	29	28	23	30	19	11	M22 x 1.0	30	46.9
20 x 28	31	28	23	30	18	9	M22 x 1.0	32	67.0
25 x 32	45	35	27	34	14	9	M28 x 1.0	42	89.0
30 x 37	52	35	27	38	11	7	M33 x 1.0	47	105.0
35 x 43	57	40	29	48	9	6	M39 x 1.5	52	179.0
40 x 50	95	40	29	55	11	7	M45 x 1.5	58	249.0