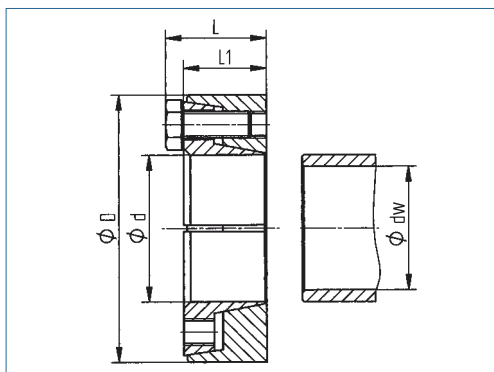


Shrink Disc

optional
nickel-plated version
optional full stainless
steel version



transmittable torque	medium
surface pressure on hub	medium
self-centering	yes
height D/d	medium
overall length	medium

Order Code

KBS 19/1 - 24 x 50

Type Ød ØD

Recommended finishing tolerances of contact surfaces are: shaft d h 9

Hollow Ød mm	Shaft Ø dw mm	Outer ØD mm	Torque T Nm	Dimensions			Surface pressure Shaft Pw N/mm ²	Screws			Mass kg
				L mm	L1 mm	Fitting Tolerance max. mm		No.	ISO 4017	TA Nm	
24	19	50	172	22	18	0.017	145	5	M6	12	0.2
	20		218				165				
	21		267				184				
30	24	60	297	24	20	0.017	137	6	M6	12	0.3
	25		352				150				
	26		412				162				
36	28	72	563	27.3	22	0.017	169	5	M8	30	0.5
	30		714				187				
	31		722				177				
44	34	80	734	29.3	24	0.032	135	6	M8	30	0.6
	35		831				144				
	36		933				153				
50	38	90	1230	31.3	26	0.032	166	8	M8	30	0.8
	40		1490				180				
	42		1760				193				
55	42	100	1640	34.3	29	0.032	172	8	M8	30	1.2
	45		2080				190				
	48		2560				206				
62	48	110	1940	34.3	29	0.032	156	9	M8	30	1.4
	50		2230				165				
	52		2340				160				
68	50	115	1810	34.3	29	0.048	134	9	M8	30	1.4
	55		2620				160				
	60		3590				184				
75	55	138	2770	37.4	31	0.048	156	10	M10	59	2.3
	60		3760				178				
	65		4910				197				
80	60	145	3200	37.4	31	0.048	151	10	M10	59	2.5
	65		4230				170				
	70		5400				187				
90	65	155	4730	44.4	38	0.048	159	11	M10	59	3.4
	70		6030				174				
	75		7500				189				
100	70	170	6440	49.4	43	0.048	164	14	M10	59	4.7
	75		7990				177				
	80		9720				190				
110	75	185	8810	56.5	49	0.048	170	12	M12	100	6.2
	80		10600				182				
	85		11700				192				
125	85	215	11600	60.5	53	0.069	163	14	M12	100	9.2
	90		14000				175				
	95		16600				186				
130	85	215	10600	60.5	53	0.069	149	14	M12	100	8.8
	90		12800				161				
	95		15300				171				