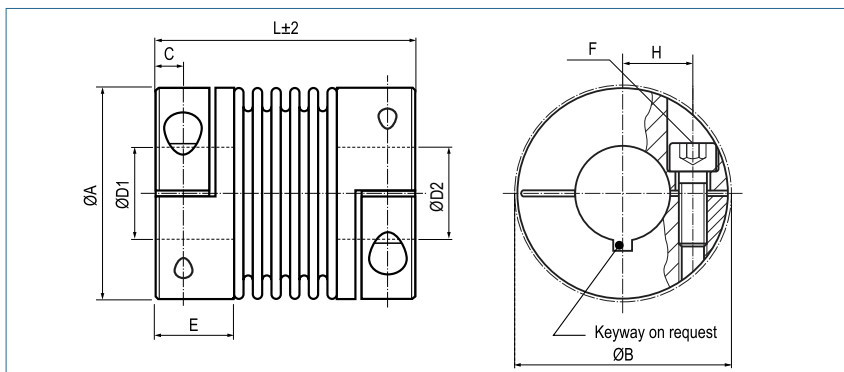


**Metal Bellows Coupling**

with collet clamps

optional  
laserwelded  
optional full stainless  
steel version



**Order Code**

**KB4 / 60 - 89 - 12 - 32 - (S)**  
 Type / Size                      Length L                      ØD1 (H7)                      ØD2 (H7)                      Options

Size	Torque TKN (Nm)	Dimensions (mm)								Technical Data								
		L	Ø A	D1/D2	H	C	E	B	F	Mass (kg)	Moment of Inertia J (g m²)	Spring Stiffness			Misalignment			max speed min-1
		Length	Outer Ø	Bore Sizes (H7) min-max				Screw (ISO4762) TA (Nm)	torsional CT 10³ (Nm/rad)			radial CR (N/mm)	axial CA (N/mm)	radial ΔKr (mm)	axial ΔKa (mm)	angular ΔKw (°)		
18	18	63	45	10-25.4	17	5.5	19.5	47.4	M5	0.1	0.04	20	205	50	0.2	0.5	1.5	12800
		71							8	0.15	0.05	15	82	36	0.25	0.5	2	12800
30	30	65	56	10-32	20	7.5	24.5	56.4	M6	0.3	0.15	38	720	50	0.15	0.6	1.5	10300
		73		15					0.32	0.16	28	225	28	0.25	1	2	10300	
60	60	79	66	12-35	23	10	29	66	M8	0.5	0.33	75	1150	90	0.15	0.6	1.5	8700
		89		40					0.6	0.36	50	340	50	0.25	1	2	8700	
80	80	91	82	14-44	28	11	33.5	82.9	M10	2.3	2.3	128	1200	80	0.2	0.5	1.5	6900
		102		84					2.4	2.4	75	400	50	0.25	0.8	2	6900	
150	150	91	82	19-44	28	11	33.5	82.9	M10	2.3	2.5	155	2020	145	0.2	0.5	1.5	6900
		102		84					2.4	2.6	105	595	85	0.25	0.8	2	6900	
200	200	101	90	22-47	31	13	38	90.8	M12	2.6	3.3	175	2500	145	0.2	0.5	1.5	6400
		113		125					2.7	3.5	120	460	82	0.25	0.8	2	6400	
300	300	105	110	30-60	40	13	38	110	M12	4.3	7.6	502	6300	280	0.2	0.5	1.5	6000
		116		145					4.4	7.8	285	1400	145	0.25	0.8	2	6000	
500	500	112	122	35-70	42	15	42	122	M12	5.5	13.5	690	7790	100	0.2	0.5	1.5	5000
		123		145					5.6	13.7	320	970	85	0.25	1	2	5000	
800	800	168	157	40-80	55	22.5	55	170.3	2xM20 400	14.3	56.9	1270	700	275	0.2	0.8	1.8	5000
1400	1400	168	157	50-80	55	22.5	55	170.3	2xM20 470	14.8	57.7	1270	700	275	0.2	0.8	1.8	5000

<b>Material</b>	bellows - stainless steel hub -size 18 - 60: aluminium hub - from size 80: steel
<b>Hub</b>	bore tolerance: H7
<b>Temperature Range</b>	-30 °C ~ 120 °C size 800/1400: -30 °C ~ 250 °C
<b>Keyway</b>	optional acc. DIN 6885 biggest bore marked with a #